

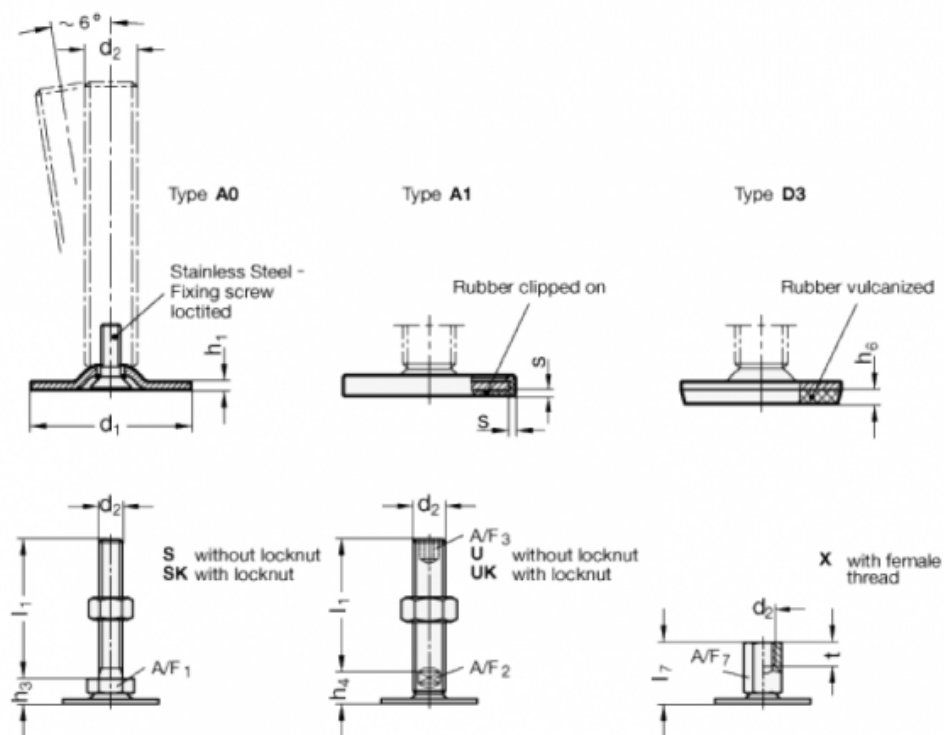
Article number: 204050M1232A3X

Description: E+G levelling foot

GN 40-50-M12-32-A3-X

Note: X With female thread, External hexagon

Measures



A/F7	=	17
d1	=	50
d2	=	M12
h1	=	2.5
h6	=	4
l7	=	32
s	=	
t	=	12